



SK12C0405SG1.5RT
C & K COMPONENTS

[Buy Now](#)



Looking for a discount?

[Check out our current promotions!](#)

Give us a call

1-855-837-4225

International: 1-415-281-3866

Email Us

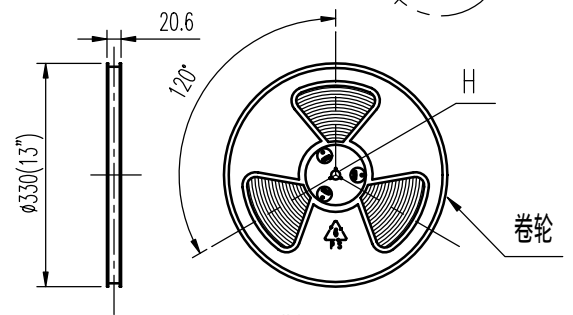
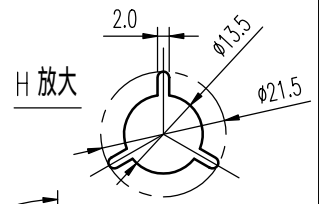
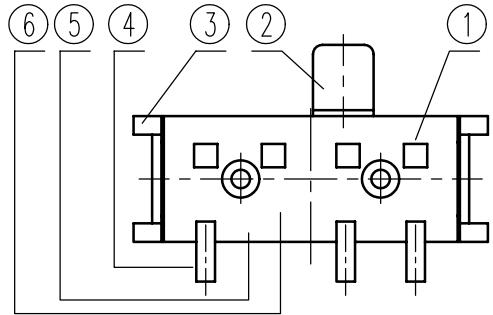
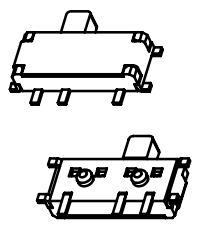
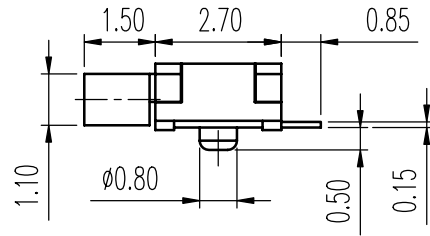
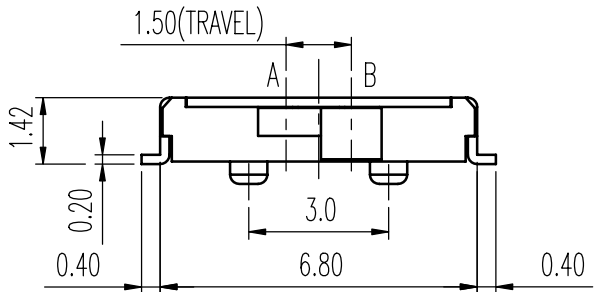
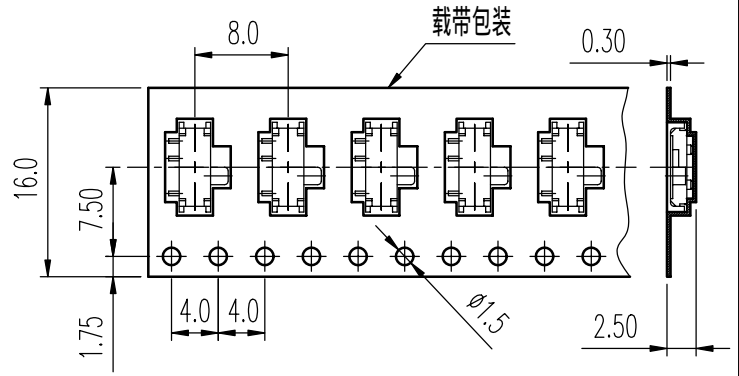
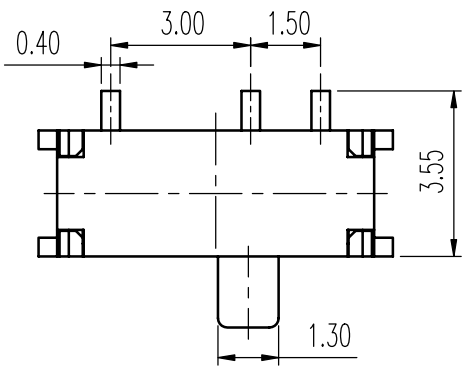
Sales and New Orders: sales@verical.com

Order Support: support@verical.com

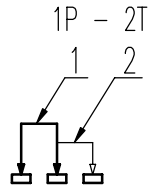
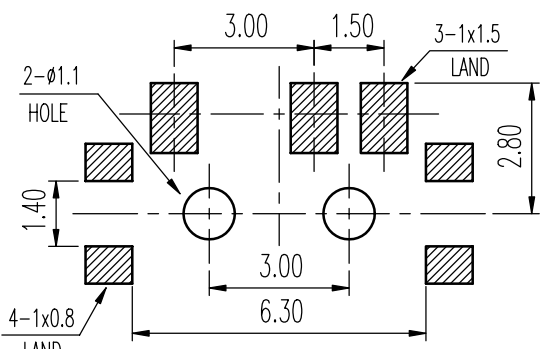
Suppliers: [Visit our seller page](#)

Company Address

Arrow Electronics, Inc
9201 East Dry Creek Road
Centennial, CO 80112



卷轮载带包装: 总共 3000PCS/轮



安装孔 PIERCING PLAN

示意图 SCHEMATIC

规格 Specifications

额定负荷 Ratings	DC 4 V 0.3 A
初期接触电阻 Initial Contact Resistance	70 mΩ Max.
绝缘阻抗 Insulation Resistance	DC 500V 60±5 Sec. 100 MΩ Min.
抗电强度 Dielectric Voltage	AC 100 V(50~60HZ) 60 Sec.
操作力 Operating Force (gf)	A → B
	B → A
负荷寿命 Operating Life With Load	150 ± 100
	10,000 次cycles

6	弹片 SPRING PLATE	SUS	1	NATURAL
5	接触片 CONTACT	C5210R	1	Ag CLAD
4	端子 TERMINAL	C2680R	3	Ag PLATED
3	盖片 COVER	SPTe ①	1	Ag PLATED
2	胶柄 KNOB	LCP	1	BLACK C
1	胶壳 HOUSING	LCP	1	BLACK C
序NO.	零件 PART	材料 MATERIAL	数量 QTY	备注 REMARKS

A03	修改内容详见图中标示 ① 所示	王小东	2007-9-27
A02	修改内容详见图中标示 ② 所示	王小东	07-08-08
A01		王小东	07-05-10
标号 REV	内容 DESCRIPTION	签名 SIGN.	日期 DATE

DWG NO. ITEM2848

TOLERANCES UNLESS OTHERWISE SPEC.		TITLE	SIDE KNOB SLIDE SWITCH		ITEM NO	SK-12C0405-SG 1.5 RT		
UNDER 1	± 0.10	DRAWN	王小东	2007-9-27	VERSION	A03	PAGE 1	OF 1
1 - 10	± 0.30	REVIEWED	张念明	2007-9-27	SCALE		UNIT	mm
OVER 10	± 0.50	APPROVED	程先金	2007-9-27	PROJECTION			

COMAX ELECTRONICS(HUIZHOU) CO.,LTD